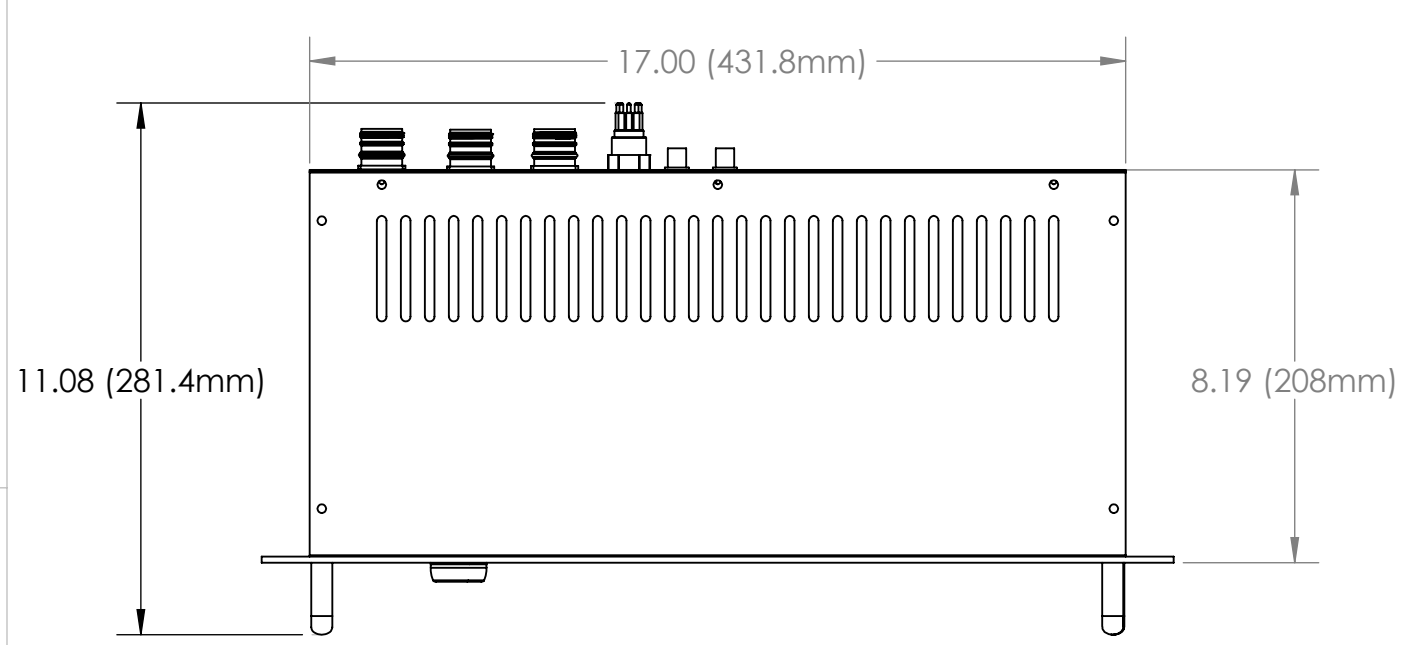
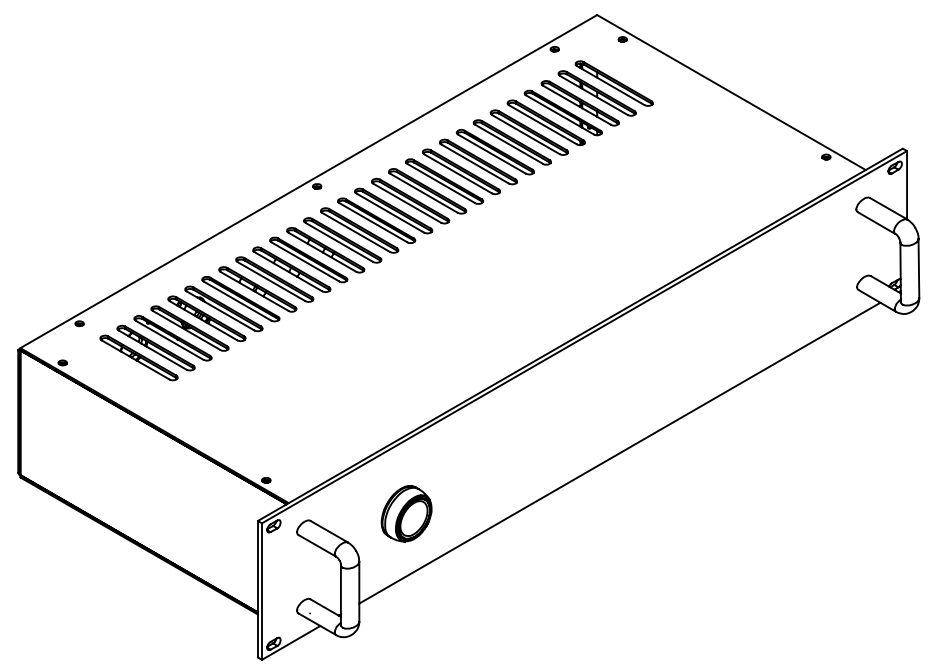
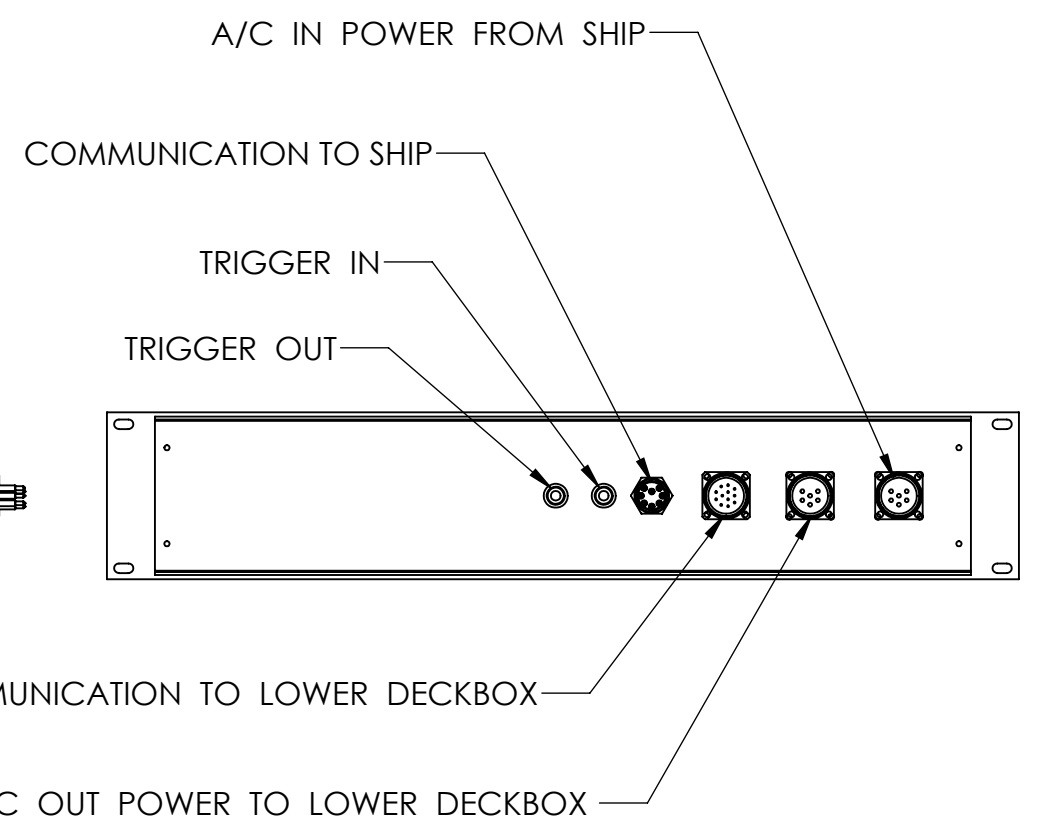
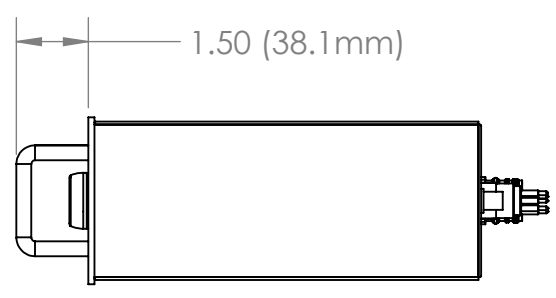
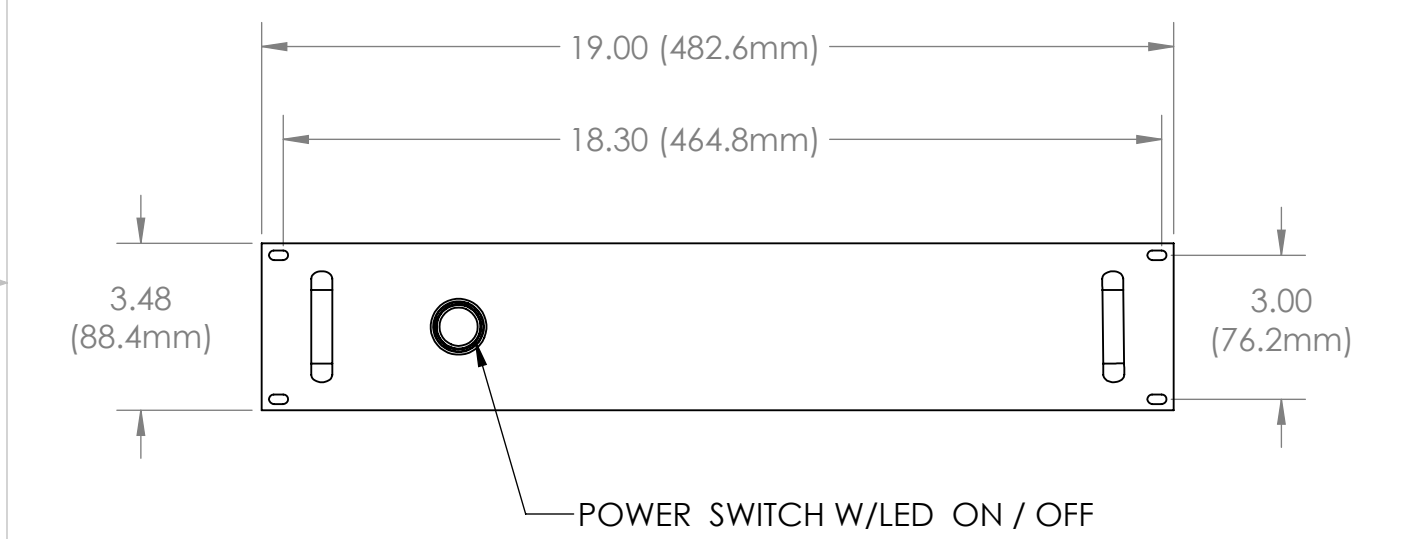


8 7 6 5 4 3 2 1



NOTE: WEIGHT 6.3 LBS (2.85 KGS)
 INTERNAL DIMENSION OF THE CHASSIES: WITH 16.90" (26MM)
 HIGHT 3.2" (81.28MM) DEPTH 8.01" (203.45MM)



PROPRIETARY AND CONFIDENTIAL
 THE INFORMATION CONTAINED IN THIS DRAWING IS THE SOLE PROPERTY OF <INSERT COMPANY NAME HERE>. ANY REPRODUCTION IN PART OR AS A WHOLE WITHOUT THE WRITTEN PERMISSION OF <INSERT COMPANY NAME HERE> IS PROHIBITED.

		UNLESS OTHERWISE SPECIFIED:		NAME	DATE	ROWE TECHNOLOGIES INC. POWAY, CA 92064	
		DIMENSIONS ARE IN INCHES		DRAWN	M TERZIC	033020	TITLE: OUTLINE, UPPER DECKBOX RACK MOUNT 300 / 38 KHZ
		TOLERANCES:		CHECKED	SARANGAPANI	033120	
		FRACTIONAL ±		ENG APPR.	SARANGAPANI	033120	
		ANGULAR: MACH ± BEND ±		MFG APPR.	SARANGAPANI	033120	
		TWO PLACE DECIMAL ±		Q.A.			SIZE DWG. NO. REV B 10797 A
		THREE PLACE DECIMAL ±		COMMENTS:			
		INTERPRET GEOMETRIC TOLERANCING PER:					SCALE: 1:4 WEIGHT: SHEET 1 OF 1
		MATERIAL					
		FINISH					
NEXT ASSY	USED ON	APPLICATION		DO NOT SCALE DRAWING			

8 7 6 5 4 3 2 1